

DATASHEET

Module TYPE	DDR2 4GB/2GB/1GB/512MB SODIMM
Module speed	PC-6400
CAS Latency	CL-6
Pin	200pin
SDRAM Operating Temp	-40 °C ~ 85 °C

1. Features

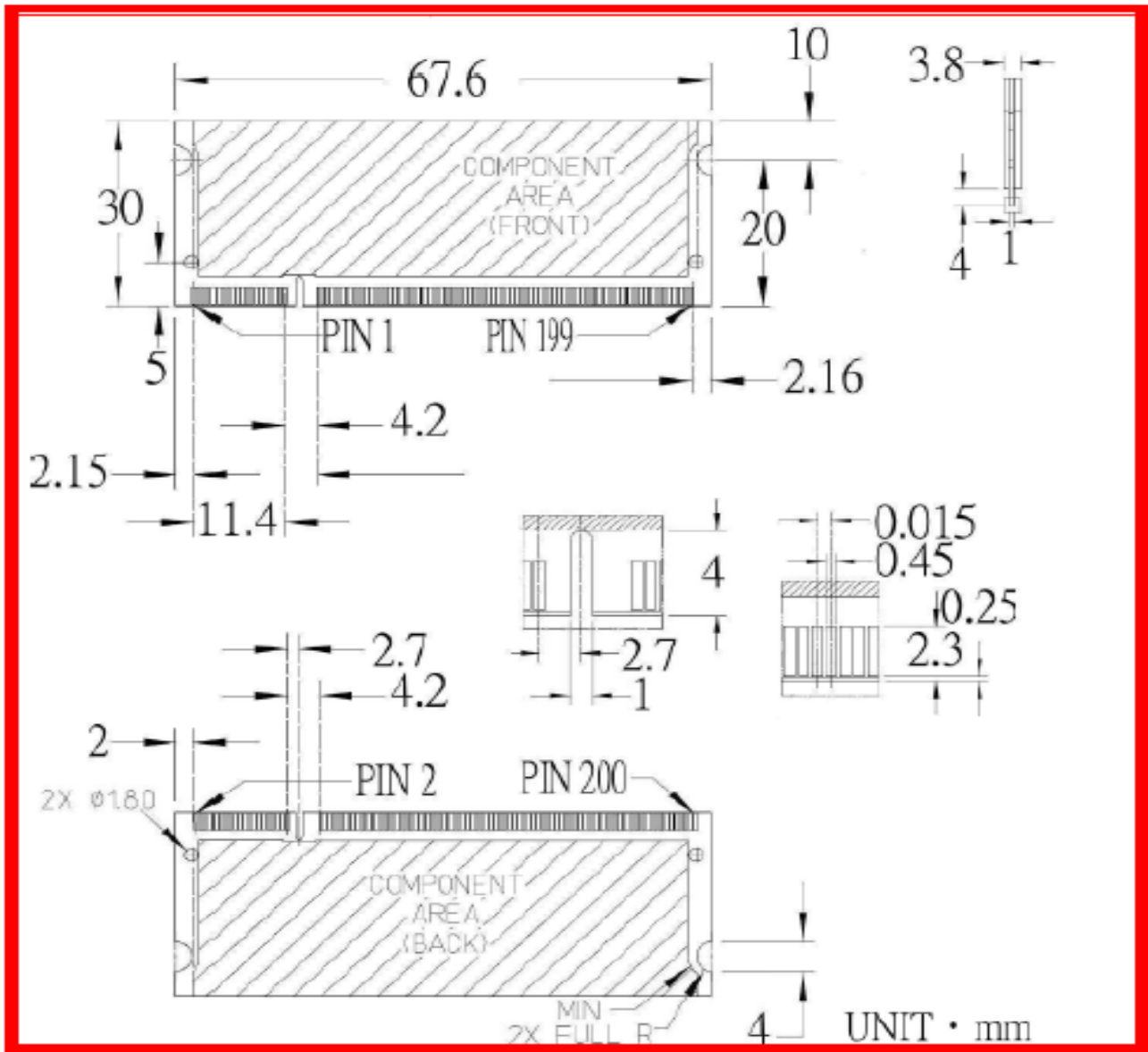
Key Parameter

Industry Nomenclature	Speed Grade	Data Rate MT/s			tRCD	tRP	tRC
		CL=4	CL=5	CL=6	(ns)	(ns)	(ns)
PC2-6400	-	533	667	800	15	15	60

- JEDEC Standard 200-pin Dual In-Line Memory Module
- Intend for 400MHz applications
- Inputs and Outputs are SSTL-18 compatible
- VDD=VDDQ= 1.8 Volt \pm 0.1
- Differential clock input
- All inputs are sampled at the positive going edge of the system clock
- Bi-Directional data strobe with one clock cycle preamble and one-half clock post-amble
- Address and control signals are fully synchronous to positive clock edge.
- Auto Refresh (CBR) and Self Refresh Modes support.
- Serial Presence Detect with EEPROM
- Automatic and controlled precharge commands.
- Auto & self refresh 7.8 μ s ($T_A \leq +85^\circ\text{C}$)
- 30u"Golden Contactor
- SDRAM Operation Temperature (*Note 1*)
 - $-40^\circ\text{C} \leq T_A \leq +85^\circ\text{C}$
- Programmable Device Operation:
 - Burst Type: Sequential or Inteleave
 - Operation: Burst Read and Write
 - Device CAS# Latency: 6
 - Burst Length: 4, 8
- RoHS Compliant (*Section 15*)

Note: 1. The refresh rate is required to double when T_c exceeds 85°C.

2. PACKAGE DIMENSION



Note: Device position is only for reference.